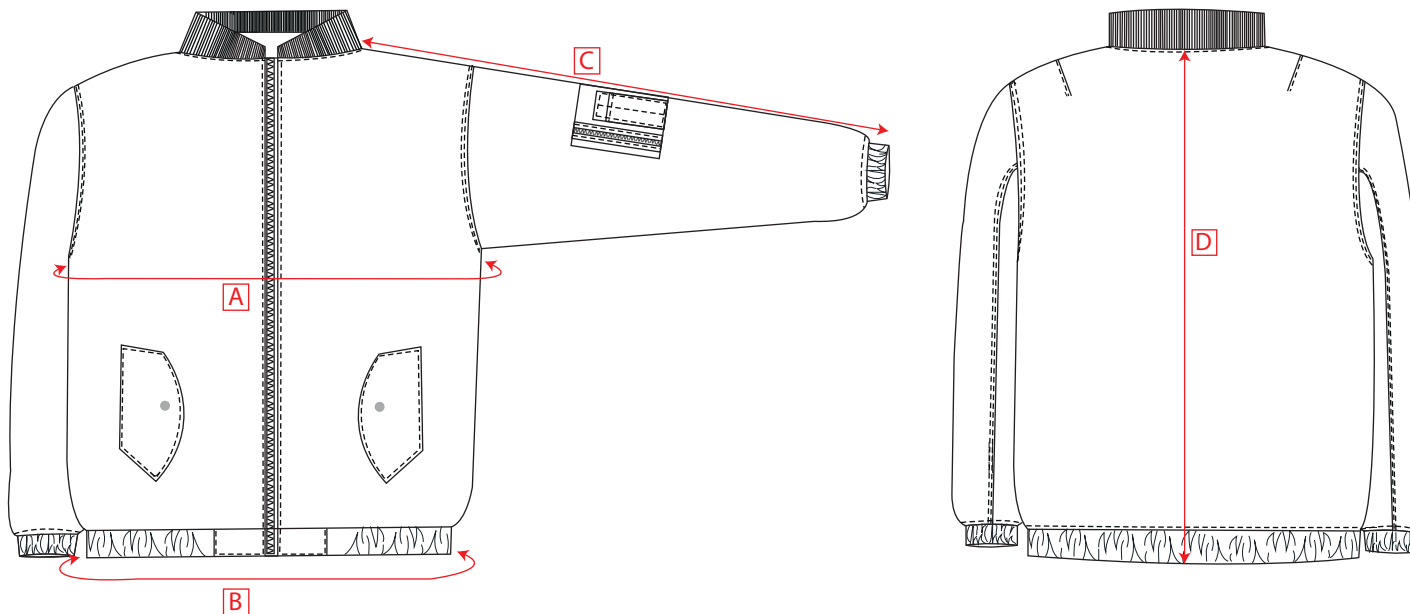


STYLE NO: S535

DESCRIPTION: Pilot Jacket

FABRIC: 100% Nylon, PA Coated, 115g

COLOUR: Black



Measurements										
		S	M	L	XL	XXL	3XL	4XL	5XL	Tol
<b>To Fit Chest</b>		<b>92-96</b>	<b>100-104</b>	<b>108-112</b>	<b>116-124</b>	<b>128-132</b>	<b>136-140</b>	<b>144-148</b>	<b>152-160</b>	
<b>Jacket Chest</b>	<b>A</b>	114	122	130	138	146	154	162	170	1
<b>Hem Relaxed</b>	<b>B</b>	88	96	104	112	120	128	136	144	1
<b>Hem Stretched</b>		114	122	130	138	146	154	162	170	1
<b>Collar to Cuff</b>	<b>C</b>	82	83	84	85	86	87	88	88	1
<b>Nape to Hem</b>	<b>D</b>	68	70	70	72	72	72	74	747	1