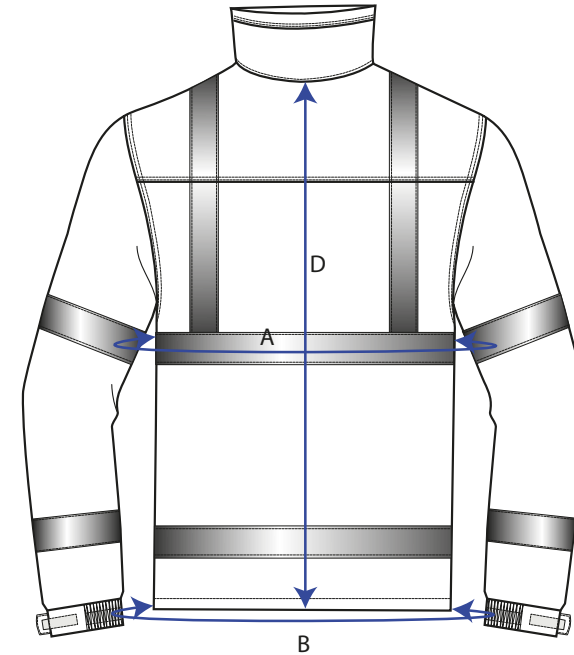
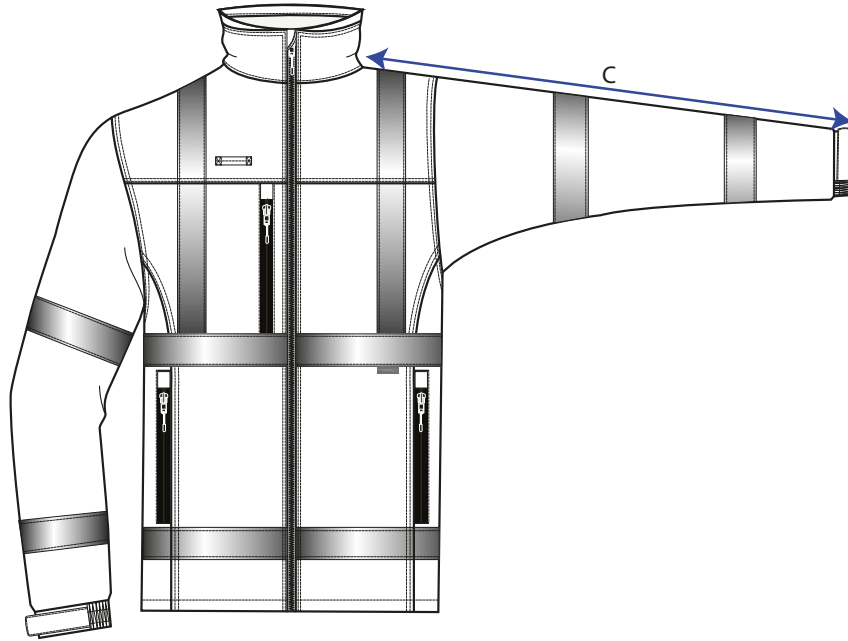


STYLE NO: S424

DESCRIPTION: Hi-Vis Classic Softshell Jacket

FABRIC: 94% Polyester, 6% Elastane TPU breathable film with 100% Polyester micro polar fleece bonded fabric

COLOUR: Yellow / Orange



		The Measurements in cm								
To Fit Chest		92-96	100-104	108-112	116-124	128-132	136-140	144-148	152-160	Tol (+)
Area		S	M	L	XL	XXL	3XL	4XL	5XL	
A	Chest	114	122	130	138	146	154	162	170	1
B	Hem	110	118	126	134	142	150	158	166	1
C	Collar to cuff	81	82	83	84	85	86	87	87	1
D	Nape to hem	71	71	73	73	73	75	75	75	1