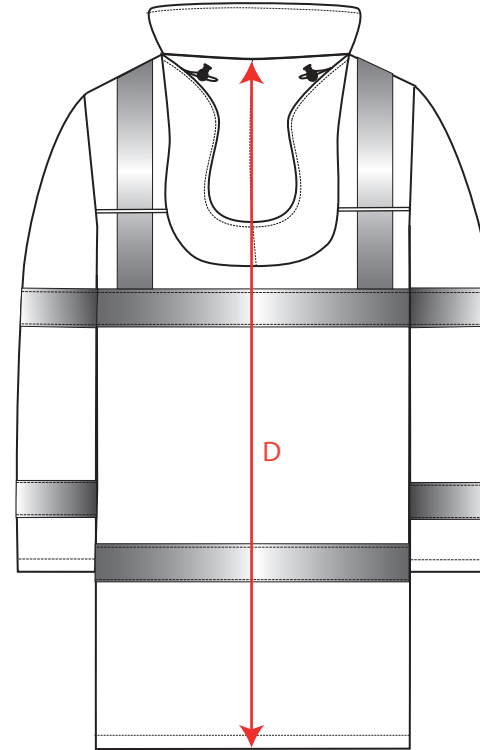
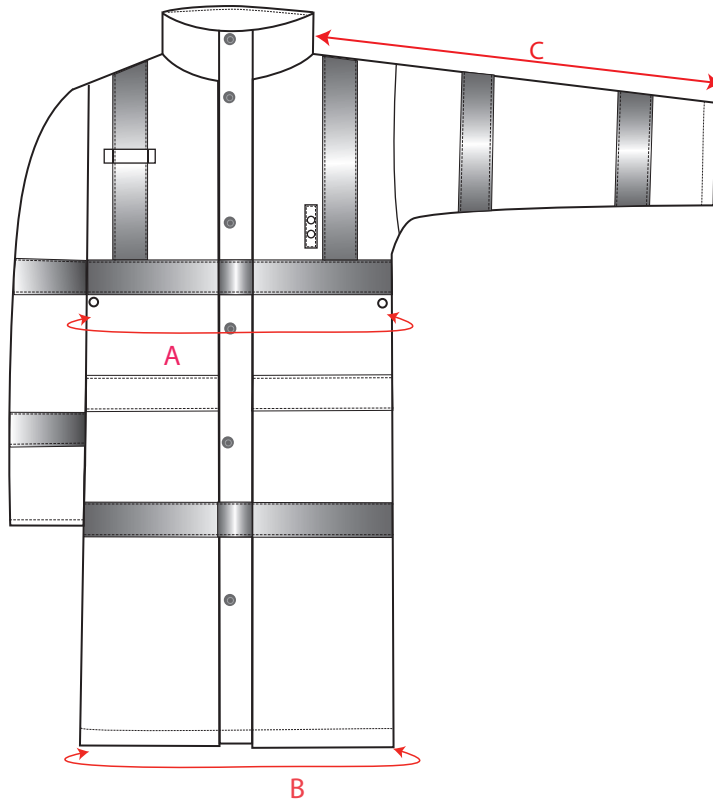


STYLE NO: H445

DESCRIPTION: Hi Vis Rain Coat



		Measurements											TOL	Audit
To Fit Chest		S	M	L	XL	XXL	3XL	4XL	5XL	6XL	7XL	8XL		Size
		92-96	100-104	108-112	116-124	128-132	136-140	144-148	152-160	164-172	176-180	184-188		
Jacket Chest	A	110	118	126	134	142	150	158	170	182	194	206	1.5	
Hem	B	113	121	129	137	145	153	161	173	185	197	209	1.5	
Collar to Cuff	C	81	82	83	84	85	86	87	88	89	90	91	1	
Centre Back to Hem	D	122	122	122	122	122	122	122	122	122	122	122	1	