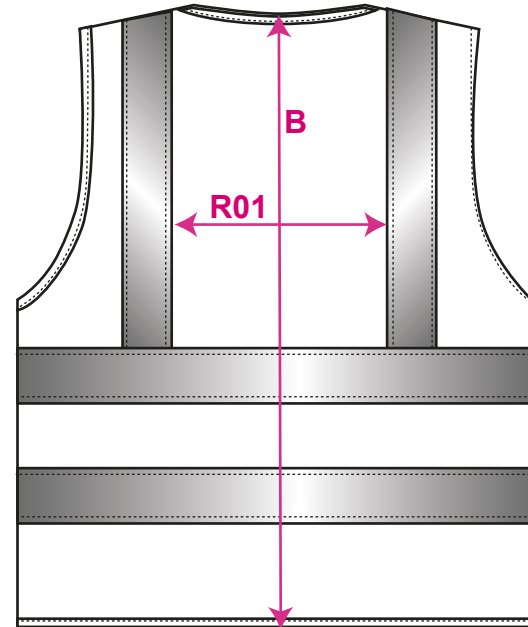
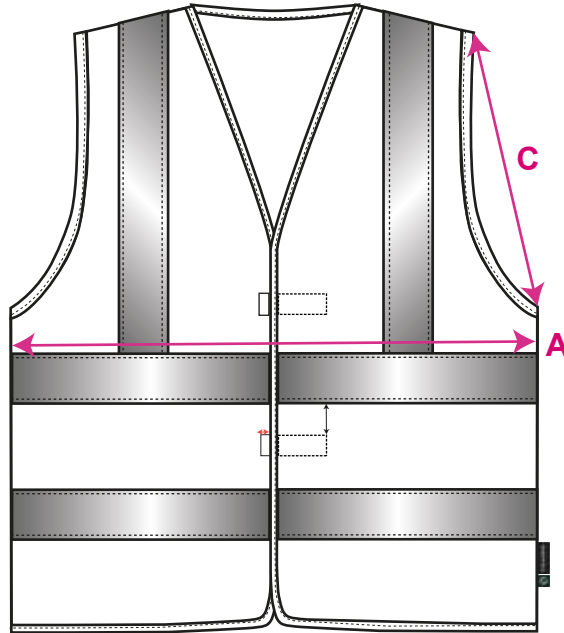


STYLE NO: EC76

DESCRIPTION: Sustainable High Viz Vest

FABRIC: 100% Warp Knit 100% GRS Polyester
124g/m2

COLOUR: Yellow. Orange



ALL MEASUREMENT IN CM

Size		S/M	L/XL	2XL/3XL	4XL/5XL	6XL/7XL
A	CHEST FASTENED 2.5CM BELOW THE ARMHOLE	58	64	72	80	88
B	CENTRE BACK LENGTH	70	70	70	76	76
C	ARMHOLE STRAIGHT	35	36	37	38	39
R01	DISTANCE BETWEEN VERTICAL TAPES	31	33	35	37	39