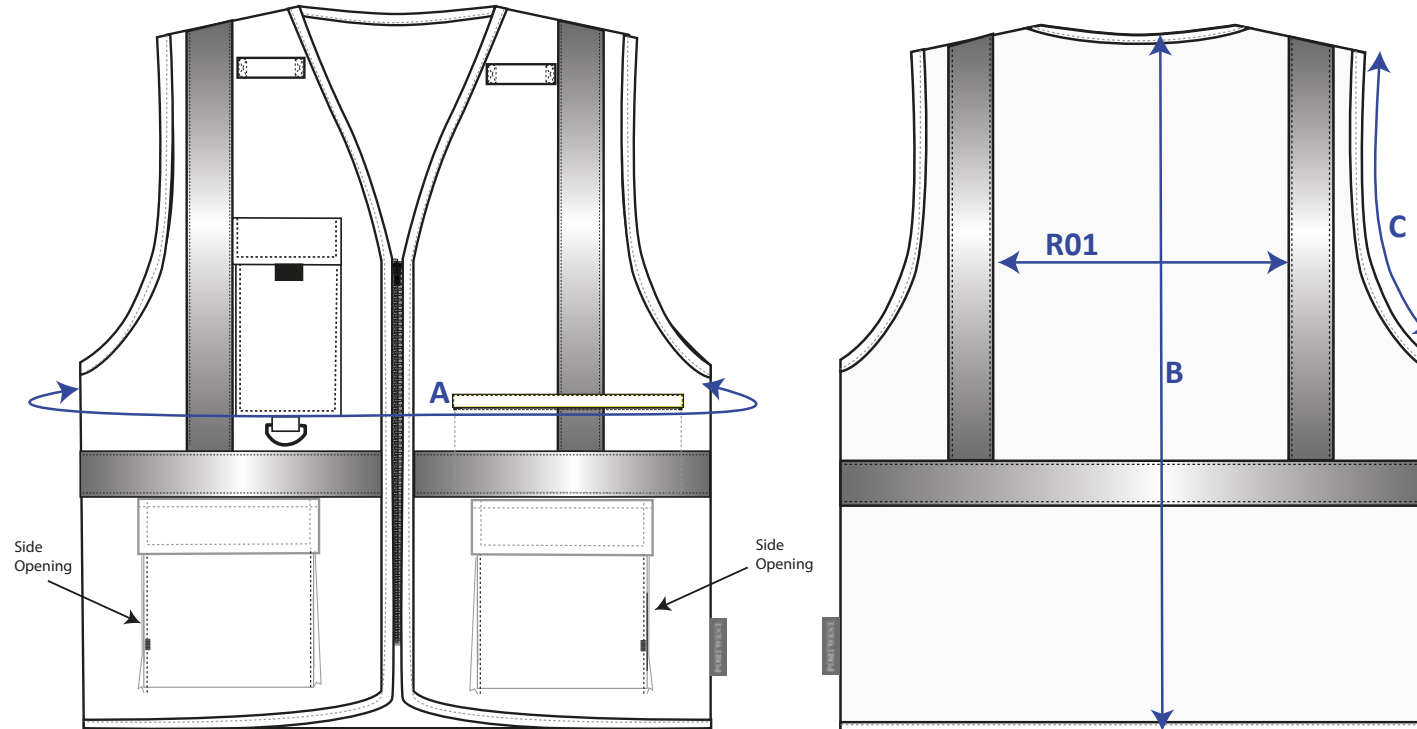


STYLE NO: C357

DESCRIPTION: Hi-Vis Executive Vest with Tablet Pocket

FABRIC: 100% Warp Knitted Polyester.  
Weight 124g/m2

COLOUR: Yellow  
Orange



Measurements in cm:		S	M	L	XL	XXL	3XL	4XL	Tolerance (+)
<b>A</b>	Garment chest	104	112	120	132	140	148	156	1
<b>B</b>	Centre back length	76	76	76	76	76	76	76	0.5
<b>C</b>	Armhole	75	76	77	78	79	80	81	0.5
<b>R01</b>	Distance between vertical bands of reflective tape	29	31	33	35	37	39	40.5	0.5